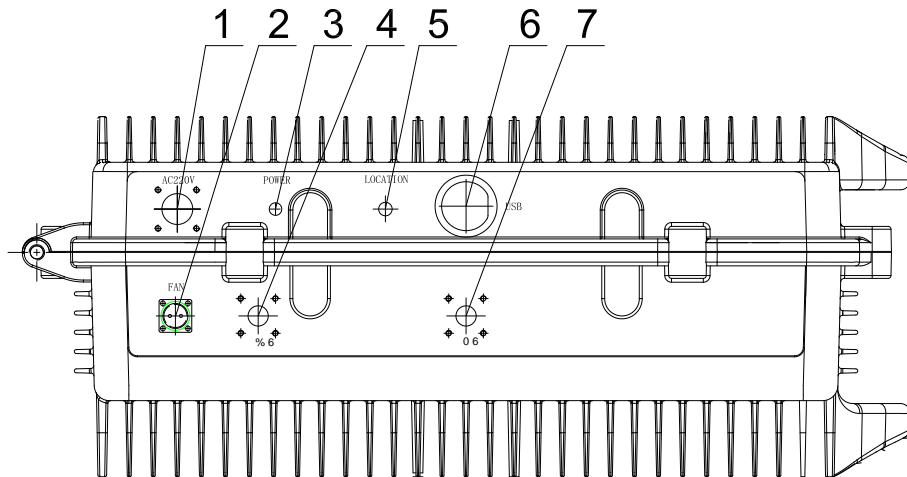
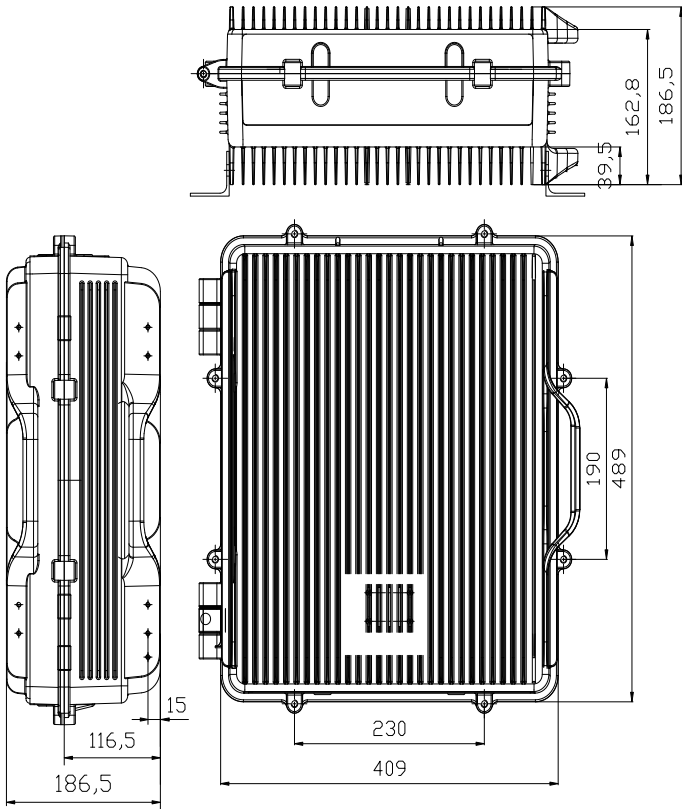


## DCS/LTE1800+WCDMA2100-43dBm Dual Band Line Amplifier Datasheet

Item		Specification	
		Downlink	Uplink
Frequency Range (MHz)	DCS/LTE1800 Band	1805 ~ 1880	1710 ~ 1785
	WCDMA2100 Band	2110 ~ 2170	1920 ~ 1980
Bandwidth(MHz)	DCS/LTE1800 Band	75	75
	WCDMA2100 Band	60	60
Max. Total Output Power (dBm) (Center Frequency)		<b>≥ 43</b>	-10±2
Gain (dB) (Center Frequency)		≥45±3	45±3
ATT Adjustable Range (dB)/(Step) 1dB		0~20 @ 1 dB step	
ATT Adjustable Error (dB)		≤  ±1.5	≤  ±1.5
ALC (dB)		0~20	
Noise Figure (dB) (Max. Gain)		/	≤ 7.0
Ripple In Band (P-P) (dB)At +25°C	DCS1800 Band	≤ 6.0	
	WCDMA2100 Band	≤ 5.0	
Input / Output VSWR(Power up, Min Gain, Pin=-30dBm)		≤ 1.8	≤ 1.8
Time Delay (us)		≤ 5.0	≤ 5.0
ACPR(dBc) (Max output)		≤ -40	≤ -40
Spurious Emission (dBm)@ Out Of Band 2.5MHz Offset		≤ -36dBm/100kHz@9kHz ~1GHz	
		≤ -30dBm/1MHz@1GHz~12.75GHz	
3rd Inter-modulation (dBc) (Max Gain)		<b>≤ -45</b> (dual-tone interval 600kHz)	
PCDE (dB)	WCDMA2100 Band	≤-35	
EVM (%) (rms)		≤8%	
RF Connector		N(f)*2	
Input / output Impedance (Ω)		50	
Power Supply		AC176-264V	
Temperature Range (°C)		-5 ~ +45	
Humidity Range (%)		5~80	
Weight (Kg)		<35	
Device cooling ways		-	
Dimension (mm)		489*409*186.5	
Monitor & Alarm	Local Monitor	Local USB (external), Remote 4G	

3URGXFWV 2XWOLQH 'LPHQVLRQ



\$& 9 3RZHU 6XSSO\ -DFN )DQ SRZHU VXSSO\ LQWHUIDFH  
 %76 &DEOH &RQQHFWRU 1 /RFDWLRQ 3RUW  
 1 FRQQHFWRU PRELOH DQWHQQD