

Datasheet-MW200320

Item		Specification	
		Uplink	Downlink
Frequency Range (MHz)	GSM900 Band	890.2 - 894.8	935.2 - 939.8
		907.6 - 914.8	952.6 - 959.8
	GSM1800 Band	1733.8 - 1739.6	1828.8 - 1834.6
1762.3 - 1781.1		1857.3 - 1876.1	
	WCDMA2100 Band	1940 ~ 1950	2130 ~ 2140
Bandwidth (MHz)	GSM900 Band	25	4.6 + 7.2
	GSM1800 Band	48	5.8 + 18.8
	WCDMA2100 Band	9.2	9.2
Max. Total Output Power (Center Frequency)		23±2	33±2
Gain (dB) (Center Frequency) at 25°C		80±3	80±3
ATT Adjustable Range (dB)/(Step) 1dB		0~30 @ 1 dB step	
ATT Adjustable Error (dB)		≤ ±1.5	≤ ±1.5
ALC (dB)		0~25	
Noise Figure (dB) (Max. Gain)		≤ 7.0	≤ 7.0
Ripple In Band (P-P) (dB)At +25°C	GSM900 Band	≤ 6.0	
	GSM1800 Band	≤ 6.0	
	WCDMA2100 Band	≤ 5.0	
Input / Output VSWR(Power up, Min Gain,		≤ 1.8	≤ 1.8
Time Delay (us)		≤ 5.0	≤ 5.0
Out of Band Rejection (dBc) At +25°C	± 1MHz offset	≤ -15	
	± 2MHz offset	≤ -30	
	± 5MHz offset	≤ -45	
Out of Band Gain (dB) At +25°C @ WCDMA2100	2.7≤f_offset<3.5MHz	≤60	
	3.5≤f_offset<7.5MHz	≤45	
	7.5≤f_offset<12.5MHz	≤45	
	12.5MHz≤f_offset	≤35	

PO No. : _____

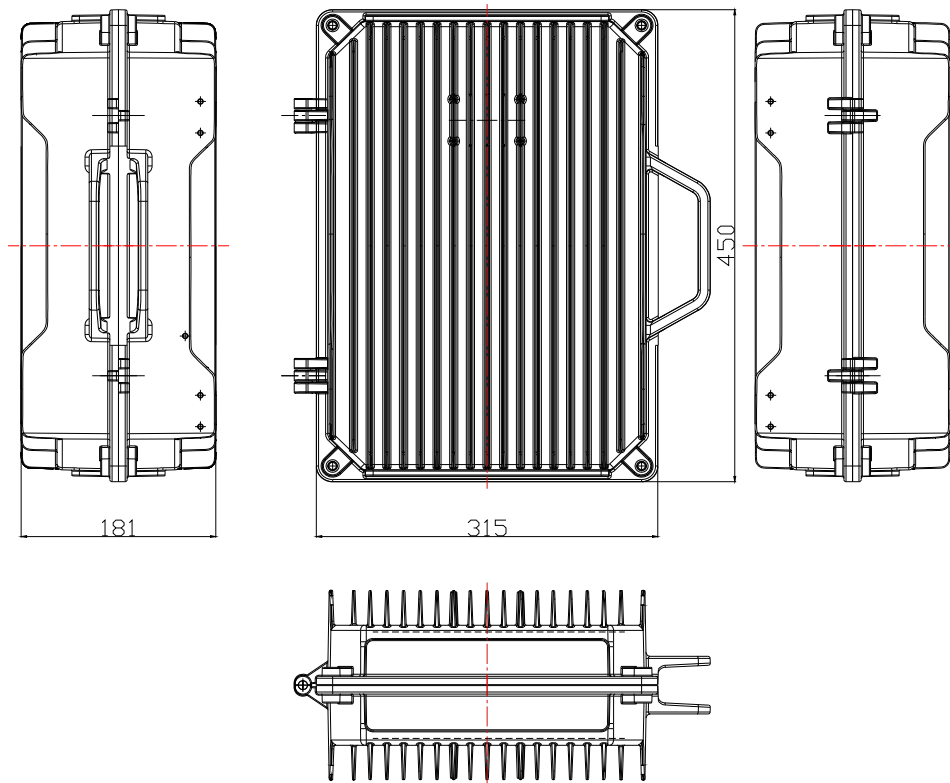
Signature: _____

Model: _____

Description: _____

Spurious Emission (dBm) @ Out Of Band 2.5MHz Offset	$\leq -36\text{dBm}/1\text{kHz}@9\text{kHz}\sim 150\text{kHz}$
	$\leq -36\text{dBm}/10\text{kHz}@150\text{kHz}\sim 30\text{MHz}$
	$\leq -36\text{dBm}/100\text{kHz}@30\text{MHz}\sim 1\text{GHz}$
	$\leq -30\text{dBm}/1\text{MHz}@1\text{GHz}\sim 12.75\text{GHz}$
3rd Inter-modulation (dBc) (Max Gain)	≤ -45 (dual-tone interval 600kHz)
RF Connector	N(f)
Input / output Impedance (Ω)	50
Power Supply	AC176-264V
Temperature Range ($^{\circ}\text{C}$)	-25 ~ +55
Humidity Range (%)	5~95
Weight (Kg)	≤ 35
Dimension (mm)	450*315*181;
Monitor & Alarm	Local with USB; Remote with 4G Modem;

Outline Dimension:



PO No. : _____

Model: _____

Description: _____

Signature: _____